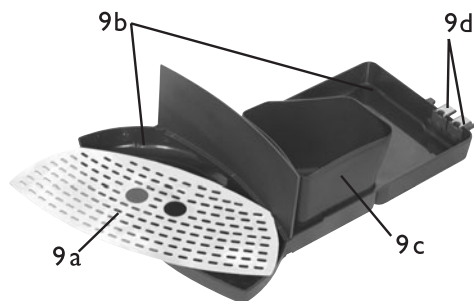
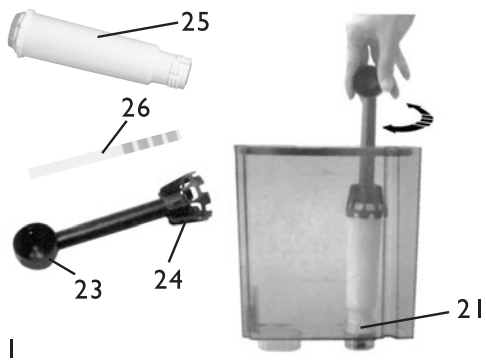
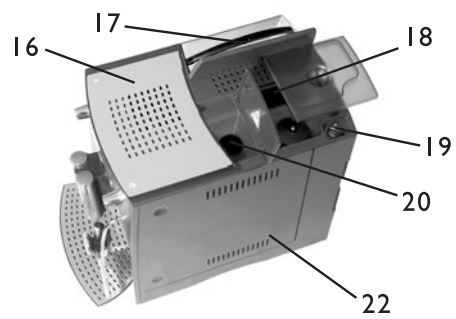
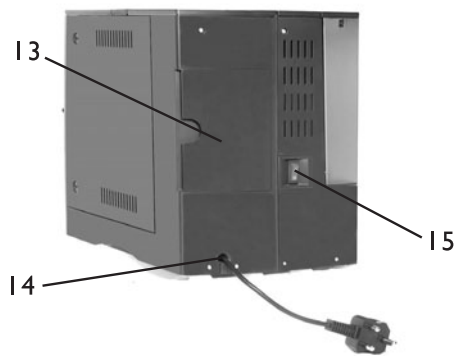
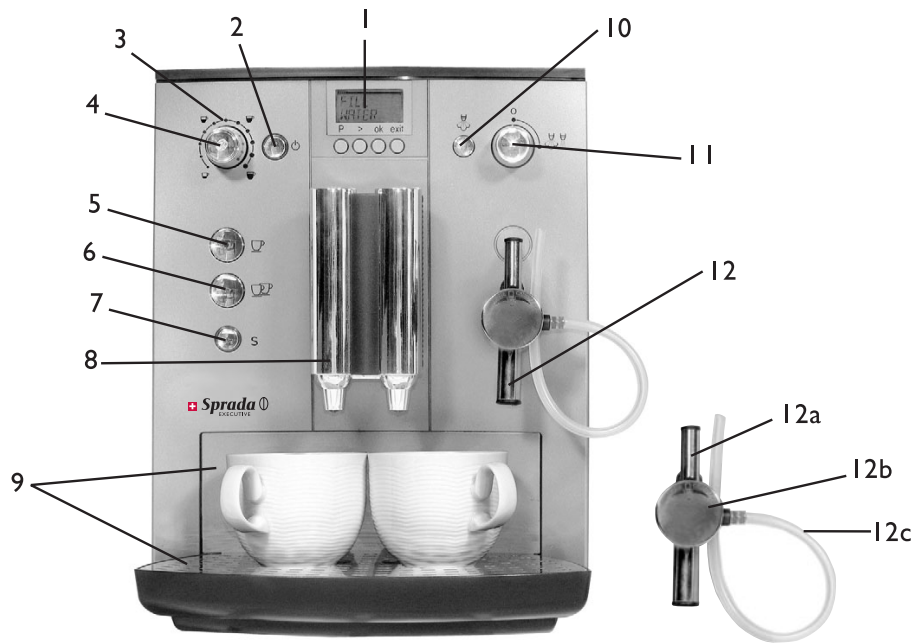




**Sprada**   
THE FUTURE

# THE EXECUTIVE INSTRUCTION MANUAL





I

Dear Customer,

Thank you for choosing a **SPRADA** product. With this coffee machine, you will enjoy full taste and aroma right from the first cup and make creamy cappuccino as well as tea and other hot drinks. **SPRADA** is made with top quality components to ensure quality and perfect safety.

Please read these instructions carefully before using the **SPRADA EXECUTIVE**.

## **MACHINE CONTROLS AND COMPONENTS**

1. Display
2. On/off button
3. Knob for adjusting amount of water in cup
4. Coffee strength selector
5. 1 cup selector
6. 2 cup selector
7. S service button
8. Coffee dispensing nozzle with adjustable height
9. Drip tray & grid
  - a. Grid
  - b. Drip tray
  - c. Coffee grounds container
  - d. Contacts
10. Steam preheating button
11. Steam/hot water knob
12. Steam nozzle with milk frothing accessory
  - 12a. Intake valve
  - 12b. Knob
  - 12c. Intake tube
13. Document holder pocket
14. Power cord compartment
15. Power on/off switch
16. Cup Shelf
17. Removable water reservoir
18. Coffee bean container
19. Grind knob
20. Ground coffee compartment
21. Portafilter
22. Door for accessing infusion unit
23. Ground coffee measuring scoop
24. Filter assembly accessory
25. Water softening filter
26. Litmus paper

**SPRADA S.A.** in accordance with its policy of continuous improvement, reserves the right to make any technical and structural modifications without prior notice.

## **PRECAUTIONS**

### **KEEP THESE INSTRUCTIONS**

- Read these instructions for use carefully before using the appliance.
- Use which does not comply with these instructions will invalidate the warranty.
- The wiring system to which the appliance is connected must always comply with the laws in force.
- Before connecting the appliance, make sure that the mains voltage is the same as the voltage indicated on the data label of the appliance and that the power outlet is connected to earth
- Always turn off the appliance at the on/off switch before unplugging it.
- Do not pull the power cord out of the socket, but grasp the plug itself to avoid damage to the socket.
- Do not allow the power cord to be twisted, crushed, stretched, or come into contact with sharp or hot surfaces.
- Do not use the appliance if the power cable or other important parts are damaged.
- Do not use electric extension leads that are not authorised by the manufacturer, as they may cause damage or fire.
- If it is necessary to replace the power supply cable, please refer to the nearest **Sprada S.A.** authorised service centre, since the use of a special tool is necessary.
- Do not use the appliance near a bathtub, shower or container full of water.
- Never immerse the appliance, the cable or the plugs in water or any other liquid.
- Use of the appliance in places where there is a danger of explosions is prohibited.
- Do not use the product with toxic substances.
- Do not lay the hot appliance on surfaces sensitive to heat.
- Do not leave the appliance exposed to wind or rain.

- Do not place the appliance near a live element, an electric stove or any other source of heat.
- Do not expose the appliance to extreme temperatures.
- Never let children or people who are not familiar with how the appliance works use it.
- Do not press the buttons hard or with a pointed object such as pen.
- Always rest the appliance on a stable surface.
- In case of accidental fall of the appliance it is necessary to have it checked by an authorised service centre as the internal safety features may have been affected.
- In case of breakdown or malfunction switch off the appliance and never attempt to disassemble it but refer to an authorised service centre.
- In order to avoid prejudicing the safety of the appliance, use only original spare parts and accessories approved by the manufacturer.
- Do not wind the power cord around the appliance, especially when the appliance is still hot.
- Position the machine on a horizontal surface
- Do not use lime scale removers which are not authorised by the manufacturer.
- Check that there is water in the reservoir before turning on the machine.
- Always fill the water reservoir with cold clean water. Do not use milk or any other liquid.
- Do not use the appliance if the drip tray and the grill are not in place.
- Do not wash coffee machine accessories in the dishwasher.
- Do not direct the steam jet on electrical appliances.
- Let the appliance cool down before cleaning the hot water nozzle.
- Never place your hands inside the jet of steam

**Danger of burns!**

- Do not direct the steam jet at people, animals or debris.

**Danger of burns!**

- Never use beans treated with additives, such as sugar or similar substances

**IMPORTANT:** Flipping the power switch **(15)** while infusion is in progress may result in damage to the appliance! Turn off the power only when the on/off button **(2)** is set to off (stand-by mode).

**BURN HAZARD!**

## TABLE OF CONTENTS

**\* PLEASE NOTE: Maintenance and care (5) please follow these instructions carefully!**

1. Safety instructions
2. Operational start up
  - 2.1 Preparing the coffee machine
  - 2.2 Assembling the milk frothing accessory
  - 2.3 Using your coffee machine for the first time
    - Filling the system
  - 2.4 Setting the grind
3. Preparation
  - 3.1 Selecting coffee strength
  - 3.2 Selecting the water quantity
  - 3.3 Brewing one cup of coffee
  - 3.4 Brewing two cups of coffee
  - 3.5 Brewing with pre-ground coffee
  - 3.6 Drawing hot water
  - 3.7 Drawing steam and frothing milk
  - 3.8 Milk frothing accessory
4. Programming
  - 4.1 Filter
    - Filter assembly
    - Without filter
  - 4.2 Water hardness
  - 4.3 Temperature
  - 4.4 Time
    - On time
    - Off time
  - 4.5 Language
  - 4.6 Statistics
- 5. \* Maintenance and care**
  - 5.1 Cleaning program**
    - Manual cleaning**
  - 5.2 Lime scale removal**
    - Manual lime scale removal**
  - 5.3 General cleaning**
6. Mains (AC) operation
7. System messages
8. Troubleshooting

## I. SAFETY INSTRUCTIONS

### CORRECT USE OF THE PRODUCT

***This appliance is intended for home use in accordance with the descriptions and instructions contained in this manual. Please read the instructions carefully and keep them, as they could be useful to you in the future.***

### ATTENTION

- This appliance is built according to current regulations for recycling.
- Do not throw away the packing materials used to protect the appliance during transportation, but take them to relevant collecting centers.
- Use only original **SPRADA** spare parts.
- **SPRADA** declines liability for any damage or accident derived from any use of this appliance, which is not in conformity with the instructions contained in this booklet.

### IMPORTANT

All **SPRADA** products undergo strict controls before leaving the company.

## USEFUL INFORMATION – CHOOSING COFFEE

- True espresso coffee is recognizable by its dark colour, typical "crema" and rich flavour.
- The flavour and aroma of a coffee bean are the result of a roasting process. Darker coffee beans have been roasted for a longer time at a higher temperature, and are more aromatic than lighter coffee beans.
- There are many different types of coffee available on the market, containing blends of beans roasted at different temperatures with different types of aroma. There is also decaffeinated coffee containing only 2% caffeine. Try using different types of coffee with your espresso machine to find the flavour and aroma that best suits your taste.
- Ideally, coffee beans should be ground just before using them. Remember that your coffee **MUST BE GROUND FOR PUMP ESPRESSO MACHINES**, which means it must be ground quite finely.
- It is a good idea to keep ground coffee in a hermetically sealed container. Coffee easily absorbs odours.



## 2. OPERATIONAL START UP

### 2.1 PREPARING THE COFFEE MACHINE

- Carefully remove the machine and all accessories from the packaging.
- Open the lid, remove the water reservoir **(17)** and rinse it with clean, cold water.
- Fill the reservoir no higher than the MAX mark, place it back in the machine and close the lid.
- Check that the reservoir **(17)** is positioned correctly. Fill the reservoir with clean, cold water only.  
Do not use sparkling water or any other liquid.

**IMPORTANT:** To prevent problems caused by lime scale build-up, it is important to use the machine with the water-softening filter **(25)**. Alternatively, you may also use lime scale remover **(Descaling tablets or the Lime 'O powder. )**, as described in the section on the "lime scale remover program." If you decide to use the water-softening filter, follow the assembly instructions under the heading "Filter assembly."

- Open the lid of the coffee bean container **(18)**, fill it with coffee beans and close the lid again. Do not use coffee beans which have been treated with sugar or other additives during or after roasting, as they could damage the coffee grinder. Repair costs due to such damage will not be covered by the warranty.
- The steam/hot water knob **(11)** must be set to 0.

### 2.2 ASSEMBLING THE MILK FROTHING ACCESSORY

Assemble all components of the milk frothing accessory as shown in fig. 12a, 12b, 12c, leaving no space between components.

### 2.3 USING YOUR COFFEE MACHINE FOR THE FIRST TIME

- 1a. Remove the power cord from the cord compartment **(14)** and plug it into a suitable outlet.
- 2a. Press the power switch **(15)**. The on/off button **(2)** will come on.
- 3a. Press the on/off button **(2)**. SYS. IS HEATING will appear on the display.
- 4a. When the machine has heated up, PLEASE RINSE will appear on the display and the service button **(7)** will start flashing.
- 5a. Press the service button **(7)** to rinse the system out through the coffee dispensing nozzle **(8)**.
- 6a. The machine is now ready for use.

**RECOMMENDATION:** Place a container underneath the outlet to collect water.  
You may rinse out the machine at any time during regular operation by letting clean water flow through the coffee outlet **(8)**, pressing the service button **(7)**.

#### Filling the system

When you use the appliance for the first time, the pipes inside the machine may not yet be filled with water. The machine will signal this as follows:

1. After turning the machine on with the on/off button **(2)**, FILL UP PIPE-SYS and TURN VALVE will appear alternately on the display.
2. Turn the steam/hot water knob **(11)** to the right. At this point the system will fill with water and water may flow out of the nozzle **(12)**.
3. When the TURN VALVE command appears, you may turn the knob **(11)** to the left again.
4. When the machine has heated up, PLEASE RINSE will appear on the display and the service button **(7)** will start flashing.
5. Press the service button **(7)** to rinse out the system through the coffee dispensing nozzle **(8)**.
6. The machine is now ready for use.

## 2.4 SETTING THE GRIND

**Important:** Grinder may be adjusted only when the coffee grinder is in operation. The coffee grinder may be adapted to suit the roast of the coffee. We recommend the medium setting for all roasts.

- Open the coffee bean container **(18)** lid.
- With the coffee grinder in operation, turn the knob **(19)** to the desired position. The smaller the dot next to the knob, the finer the grind. Remember that:
  - lightly roasted coffee requires a finer grind
  - dark-roasted coffee requires a coarser grind

## 3. PREPARATION

The machine is shipped ready to make its first cup of coffee. But we recommend you re-program the main settings to suit your preferences. First of all, follow the steps listed under the “Programming” heading to adjust the filter and water hardness settings.

**NOTE:** When using the appliance for the first time, or if the appliance has not been used for some time, the first coffee you make will not have perfect aroma and should be discarded.

### 3.1 SELECTING COFFEE STRENGTH

You may set your preferred coffee strength to three levels:

<b>LIGHT</b>	= about 7 gr. ground coffee (for Caffè latte, cappuccino)
<b>NORMAL</b>	= about 9 gr. ground coffee (for Café crème)
<b>STRONG</b>	= about 11 gr. ground coffee (for Espresso, strong coffee)

As soon as the machine is ready for use, the factory setting will appear on the display. It may be altered by repeatedly pressing the selector **(4)** until the desired strength appears on the display.

### 3.2 SELECTING THE WATER QUANTITY

Use the water quantity control knob **(3)** to determine the quantity of water:

- Turn anti-clockwise to decrease water quantity.
- Turn clockwise to increase water quantity.

Water quantity may be altered during the process. The amount of water used to make coffee is shown on the first line of the display.

**RECOMMENDATION:** To determine the ideal water quantity for your taste or cup size, proceed as follows when making your first cup of coffee:

1. Set the water quantity adjustment knob **(3)** to the following positions:
  - to the left for a cup of espresso.
  - all the way to the right for a larger cup.
2. Press the 1 cup selector **(5)**. The machine will start making coffee.
3. Just before you reach the desired quantity of coffee, turn the water quantity control knob **(3)** slowly to the left until the machine stops dispensing coffee.
4. Note the position shown on the dots appearing on the water quantity adjustment knob **(3)**.

### 3.3 BREWING ONE CUP OF COFFEE

Place a pre-heated cup underneath the coffee dispensing nozzle **(8)**

The height of the coffee dispensing nozzle **(8)** may be adjusted precisely to suit the cup size.

- Set the desired coffee strength and water quantity.
- Press the 1 cup selector **(5)**
- At this point the machine will begin the infusion procedure.
- The procedure may be interrupted at any time by pressing the 1 cup **(5)** or 2 cup selector **(6)**.

Important: If making coffee for the first time, the grinding chamber is still empty. After you grind coffee for the first time, FILL BEANS may appear on the display and the machine may not make coffee. If this happens, press the selector **(5)** again to repeat the procedure.

### **3.4 BREWING TWO CUPS OF COFFEE**

- Two grinds will automatically be performed to make two cups of coffee.
- Place both cups under the coffee dispensing nozzle **(8)**.
- Set the desired coffee strength and water quantity for one cup.
- Press the 2 cup selector **(6)**.
- At this point the machine begins the infusion procedure and makes two cups of coffee in a row.
- The procedure may be interrupted at any time by pressing the 1 cup **(5)** or 2 cup selector **(6)**

If the machine should run out of water or coffee beans between the two cups, or if the trays need emptying, a signal will appear and the second cup of coffee will not be made. Follow the instructions to top up the machine and press only the 1 cup selector **(5)** to make the second cup of coffee.

### 3.5 BREWING WITH PRE-GROUND COFFEE

- First turn the water quantity control knob **(3)** to the desired quantity of water for one cup.
- Open the lid to access the ground coffee compartment **(20)**; FILL POWDER appears on the display.
- Fill with a level measuring scoop **(23)** of ground coffee and close the lid. The words POWDER READY will appear on the display.
- Place the cup under the coffee dispensing nozzle **(8)** and press the 1 cup button **(5)**

If you unintentionally open the ground coffee compartment and do not press the coffee button after putting ground coffee into it, the machine will automatically perform a washing cycle through the coffee dispensing nozzle **(8)** one minute after the lid is closed and will then be ready for use again.

**Important:** The filling compartment is not a storage compartment. Never put more than one portion into it and use only freshly ground or vacuum packed coffee. Do not use instant coffee. You can make instant coffee in the cup using the nozzle **(12)**.

### 3.6 DRAWING HOT WATER

- Place a cup under the nozzle **(12)**.
- Turn the steam/HOT WATER knob **(11)** to the right.
- When HOT WATER comes out of the nozzle, the words HOT WATER appear on the display.
- Fill the cup up to the desired level and then set the knob **(11)** to "0" again.

Be careful not to burn yourself; hot water may splash. The nozzle **(12)** reaches high temperatures while in use. Let it cool down for a few minutes before touching it.

### 3.7 DRAWING STEAM AND FROTHING MILK

1. Press the steam preheat button **(10)**. When the system is ready, the words STEAM IS READY and TURN VALVE will appear alternately on the display.
2. Immerse the nozzle **(12)** in the cup for hot water/froth.
3. Turn the steam/hot water knob **(11)** to the right. **Important:** A little water will come out before the steam.
4. Turn the knob **(11)** back to "0" to stop.
5. Press the steam preheat button **(10)** to restore normal operation of the machine.
6. Steam may continue to be produced for maximum 2 minutes, after which the machine will automatically stop the procedure. To continue with the procedure, turn the knob **(11)** back to "0".

### 3.8 MILK FROTHING ACCESSORY

The milk frothing accessory is used to emulsify milk taken up directly out of the container. It is a very useful accessory for making cappuccino and coffee with steamed milk.

- Check that the accessory has been connected up correctly, as described in the section on "ASSEMBLING THE MILK FROTHING ACCESSORY."
- Insert the intake tube **(12c)** in the container of cold milk.
- Make espresso as described in the section "MAKING ONE CUP OF COFFEE."
- Place the cup under the steam nozzle **(12)**.
- Press the steam preheat button **(10)**. When the system is ready, the words STEAM IS READY and TURN VALVE will appear alternately on the display.
- When steam starts to come out, open the knob **(12b)**; this will allow milk to be taken up and frothed directly in the cup.
- Use the intake knob **(12b)** to vary how wide the valve opens and therefore the amount of milk taken in. Adjust the knob right for cappuccino and left for lattè as printed on the knob **(12b)**.
- When this procedure has been completed, return the knob **(12b)** and the steam knob **(11)** back to "O" and switch off the steam button **(10)**.

**WARNING – scalding steam hazard:** The steam is very hot! Grasp the nozzle by the black plastic part!

Residues left on the nozzle after frothing milk are hard to remove when dry, so it is a good idea to clean the whole assembly as soon as it cools down.

**Important:** after using the steam wand, it is important to rinse the machine through before making coffee again to cool down the circuit, or the aroma of the coffee will be spoiled. Place a container under the coffee dispensing nozzle **(8)** and press the service button **(7)** or let a little hot water flow through the nozzle **(12)**.



#### **4. PROGRAMMING**

Use the following buttons under the display for programming:

- P** Programming mode
- >** Selection button
- ok** Confirmation button
- exit** Interrupt or conclude programming

The machine allows you to set the following functions:

1. Filter
2. Water hardness
3. Temperature
4. Time (on time and off time)
5. Language
6. Statistics

## 4.1 FILTER

### FILTER ASSEMBLY:

The machine is supplied with a special filter accessory for the water reservoir. The filter is made of resins and protects the machine from lime scale deposits, filtering out any substances (such as chlorine and metallic residues) that can alter the flavour and aroma of coffee, while leaving the mineral content of the water unaltered. For the machine to recognise the presence of the filter, you must set the filter setting to YES. The factory setting is no filter:

1. Press the programming button **P**.
2. Press the **>** button until PROGRAM FILTER appears on the display.
3. Press **ok**.
4. Press **>** until YES appears on the display.
5. Confirm by pressing **ok**.
6. The words FILTER CHANGE/TURN VALVE will appear alternately on the display.
7. Empty the water reservoir **(17)** and screw on the filter using the filter assembly tool **(24)** supplied with the portafilter **(21)**.
8. Fill the reservoir with cold water and put it back inside the appliance.
9. Place a recipient underneath the nozzle **(12)** and turn the knob **(11)** to the right. The system will perform a rinse cycle.
10. Wait until water stops flowing out of the nozzle, then turn the knob **(11)** to the left again.
  - The system quickly heats up and is ready for use again.
  - The service button **(7)** may carry on flashing. If this happens, press the button **(7)** to conduct another short rinse cycle through the coffee outlet **(8)**.

**IMPORTANT:** The system must be programmed either for use of a water filter or for the hardness of the water and therefore the manual lime scale removal cycle. You cannot use both of these settings at the same time. If you are using the filter on the machine and the system is programmed to "YES," water hardness and manual lime scale programming cannot be displayed.

The filter loses its effectiveness after about 50 liters of water. Follow the instructions in the section on "replacing the water filter" to replace it.

Important: If you have not used the machine very much, you must replace the filter even if no indication appears on the display after a maximum of two months (see the section on "manual filter replacement **(25)**"). As a reminder, you may set the replacement date on the wheel on the top of the filter.

**For more thorough prevention of lime scale build-up, you should run the “lime scale removal” program at least once a year even if you regularly use the resin-based filter.**

**WITHOUT FILTER:**

If you no longer want to use the filter, you must re-program the filter setting to “NO.”

**This is important as you must use the lime scale removal program if you are not using the filter.**

1. Press the programming button **P**.
2. Press > until the words PROGRAM FILTER appear on the display.
3. Press **ok**.
4. Press > again until NO appears on the display.
5. Confirm by pressing **ok**. The words PROGRAM FILTER will appear on the display.
6. From this position you may continue programming or exit by pressing **exit**.

Don't forget to program water hardness when not using the filter.

## 4.2 WATER HARDNESS

The frequency of lime scale removal depends on the hardness of your local water supply. Set water hardness correctly as soon as you begin using the machine so that the system will be able to inform you when the lime scale procedure is necessary.

First test the water using the litmus paper **(26)** supplied:

Fill a small container with tap water. Dip the litmus paper into it and remove it immediately, then shake it gently.

After about one minute you will be able to read the results by counting the red dots.

Different levels are distributed as show below:

- 1 red dot=  
1-7° dH / 1-12,6°FH = LEVEL 1
- 2 red dots=  
8-14° dH/ 12,7-25,2°FH = LEVEL 2
- 3 red dots=  
15-21° d/H 25,3-37,8°FH = LEVEL 3
- 4 red dots=  
>21°d/H / >37,8°FH = LEVEL 4

The factory setting corresponds to LEVEL 3.

1. Press the programming button **P**.
2. Press > until PROGRAM W, HARD appears on the display.  
(It will appear only if the filter is programmed to NO).
3. Press **ok**.
4. Press > again until the level of water hardness determined in the litmus paper test appears on the display.
5. Confirm by pressing **ok**, and the words PROGRAM W, HARD will appear on the display.

From this position you may continue programming or exit by pressing exit.

### 4.3 TEMPERATURE

You may change coffee temperature to suit your preferences, setting it to NORMAL, HIGH or MAXIMUM.

The factory setting is "High".

1. Press the programming button **P**.
2. Press > until PROGRAM.TEMP. appears on the display.
3. Press **ok**.
4. Press > again until the desired temperature level appears on the display.
5. Confirm by pressing **ok**, and PROGRAM.TEMP. will appear on the display.
6. From this position you may continue programming or exit by pressing **exit**.

### 4.4 TIME

You must program the current time before you can program on time.

1. Press the programming button **P** to go into Programming mode.
2. Press > until PROGRAM.TIMES appears on the display.
3. Press **ok**, and TIME SETTING will appear on the display.
4. Confirm by pressing **ok**. HOURS > 00:00 will appear on the display. (the arrow will flash).
5. Press > until the desired time appears.
6. Confirm by pressing **ok**. The < arrow will start flashing behind the minutes.
7. Press > until the minutes are correct.
8. Confirm by pressing **ok**, and TIME SETTING will appear on the display.
9. From this position you may continue programming or exit by pressing exit.

**Important:** The time setting will be lost if you turn off the power (**I5**) or unplug the machine or if the power goes off.

### **ON TIME:**

This function is used to program the time you want the machine to switch on.

10. Press the programming button **P** to access Programming mode.
11. Press the > button until PROGRAM.TIMES appears on the display.
12. Press **ok**; TIME SETTING appears on the display.
13. Press > until UNIT ON AT appears on the display.
14. Proceed as described in point 4 through point 7 to set the hour and minutes.
15. Confirm by pressing **ok**, and UNIT ON AT will appear on the display.
16. From this position you may continue programming or exit by pressing **exit**.

On time will be retained in memory even if the power supply is interrupted or switched off.

### **OFF TIME:**

This function is used to program how much time passes before the machine switches off after the last operation. The factory setting is 5 hours.

17. Press the programming button **P** to go into Programming mode.
18. Press > until PROGRAM.TIMES appears on the display.
19. Press **ok**, and TIME SETTING will appear on the display.
20. Press > until UNIT OFF AFTER appears on the display.
21. Press > until the number of hours (options from 1-12 hours) after which you want the machine to switch off appears on the display. If you do not want the machine to switch off, select **Never**.
22. Confirm your choice by pressing **ok**, and UNIT OFF AFTER will appear on the display.
23. From this position you may continue programming or exit by pressing **exit**.

## 4.5 LANGUAGE

You can choose among eight languages: German, English, French, Italian, Spanish, Dutch, Russian and Portuguese. The factory setting is English.

- Press the programming button **P** to go into Programming mode.
- Press > until PROGRAM LANGUAGE appears on the display.
- Press **ok**.
- Press > until the desired language appears.
- Confirm by pressing **ok**. PROGRAM LANGUAGE will appear on the display.

From this position you may continue programming or exit by pressing exit.

## 4.6 STATISTICS

This programming setting may be used to read the frequency at which the following functions have been set: 1 cup / 2 cups / Powder / Total (number of times making coffee) / Water / Steam / Cleaning / Lime scale removal / Filter changes.

- Press the programming button **P** to enter Programming mode.
- Press > until PROGRAM. STATIST appears on the display.
- Press **ok**.
- Press > until the desired indication appears.
- Confirm by pressing **ok**. PROGRAM. STATIST will appear on the display.

From this position you may continue programming or exit by pressing exit.

## 5. \*NB. MAINTENANCE AND CARE

### REPLACING THE FILTER (25):

After filtering about 50 liters of water, the filter is no longer effective. This is signaled on the display by the instruction FILTER CHANGE and flashing of the service button **(7)**.

RECOMMENDATION: Press the service button only when you want to replace the filter. You may continue making coffee, hot water and steam, but we recommend you replace the filter promptly.

1. Empty the water reservoir **(17)** and replace the filter.
2. Press the service button **(7)** for about 2 seconds. FILTER CHANGE / TURN VALVE will appear on the display.
3. Fill the reservoir with cold water and put it back in the machine.
4. Place a container (approximately ½ liter) under the steam/hot water nozzle **(12)** and turn the steam/hot water knob **(11)** to the right. The system will perform a rinse cycle.
5. Wait until no more water flows out of the nozzle, and then turn the knob **(11)** toward the left.
6. The system will rapidly heat up and the coffee making symbol will appear on the display, indicating that the machine is ready for use again.

### MANUAL FILTER REPLACEMENT:

Even if you make coffee infrequently, the filter must be replaced at least every 2 months. No signal will appear on the display, and the new filter must be replaced manually.

As a reminder, you may set the replacement date on the wheel on the top of the filter.

1. Empty the water reservoir **(17)** and replace the filter.
2. Fill the reservoir with cold water and put it back in the machine.
3. Press the programming button **P**.
4. Press **>** until PROGRAM FILTER. Appears on the display.
5. Press **ok**. The display will indicate MANUAL RINSING.
6. Confirm by pressing **ok**, and FILTER CHANGE / TURN VALVE will appear alternately on the display.
7. Proceed as described in point 4. of the section on "Replacing the filter **(25)**".



## 5.1 CLEANING PROGRAMME

### **IMPORTANT - Please follow these steps to the letter:**

The cleaning program thoroughly cleans all dispensing assemblies, removing coffee residues and oily deposits which can build up and block up the machine. To run the program, use the special **Sprada Cleaning Tablets** available through **Sprada Direct**.

**IMPORTANT: This program is intended solely for cleaning the coffee dispenser assembly. It is not a lime scale remover program.**

When the machine requires a cleaning, the words PLEASE CLEAN will appear on the display, alternately with the normal operation symbol, and the service button **(7)** will flash.

**RECOMMENDATION:** Press the service button only when you want to perform the cleaning cycle. You may continue making coffee, hot water and steam, but we recommend you perform the cleaning cycle promptly.

**IMPORTANT: The cleaning program cannot be interrupted once it has started.**

1. Press the service button **(7)**. EMPTY TRAYS will appear on the display, alternating with FILL WATER.
2. Remove the drip tray **(9b)** and the water reservoir **(17)** and clean them thoroughly.
3. Fill the reservoir with cold water, and re-assemble the reservoir and trays on the machine.
4. The machine will perform two brief washing cycles, and the indications CLEANING TAB INTO and POWDER SHAFT will appear alternately on the display.

**RECOMMENDATION:** Place a container of sufficient capacity (about ½ liters) under the coffee dispensing nozzle **(8)**.

5. Put the cleaning tablet into the powdered coffee compartment **(20)** and close the lid. The service button **(7)** will flash and PRESS S KEY will appear on the display.

**Important: do not put the cleaning tablet in the water reservoir (17).**

6. Press the service button **(7)**.

7. The machine begins the cleaning procedure.

8. The cleaning procedure is automatic and takes about 10 minutes.

When the cycle has been completed, EMPTY TRAYS will appear on the display.

9. Empty the drip tray **(9b)** and put it back in position.

10. If necessary, fill the water reservoir **(17)** with cold water.

11. The machine quickly heats up to the right temperature and is ready for use again.

### **MANUAL CLEANING:**

If necessary, you can run the cleaning program even if the alarm does not appear:

1. Press the programming button **P**.
2. Press **>** until PROGRAM CLEANING appears on the display.
3. Press **ok**. The display will indicate MANUAL CLEANING.
4. Confirm by pressing **ok**, and EMPTY TRAYS / FILL WATER will appear alternately on the display.
5. Proceed as described beginning in point 2 of the "Cleaning program" section.

If you unintentionally start up the cleaning program, you can interrupt it at the beginning of the cycle by pressing the On/Off button **(2)** for about 2 seconds.

### **5.2 LIME SCALE REMOVAL**

If you do not use the special filter **(25)** regularly, it is essential to remove lime scale in the appliance at least once every two months so as not to compromise the functioning of the appliance with time. To run the lime scale removal program, use the special **Sprada Lime Scale Remover (Descaling tablets or the Lime'O powder)**.

**NOTE:** Never use sulphuric acid or any other product containing this acid, as it may compromise the functioning of the appliance. Do not use vinegar or vinegar-based products for lime scale removal. Do not use any substance not authorized by the manufacturer; use only special **Sprada Lime Scale Remover (Descaling tablets or the Lime'O powder)**.

When the machine requires lime scale removal, SYSTEM CALCIF.Will appear on the display, alternately with the normal operation symbol, and the service button **(7)** will flash.

**RECOMMENDATION:** Press the service button before starting the lime scale removal procedure. You may continue making coffee, hot water and steam, but we recommend you run the lime scale removal procedure promptly.

**Important: Do not interrupt the lime scale removal program once it has started!**

1. Press the service button **(7)**. EMPTY TRAYS will appear on the display.
2. Completely remove and empty the drip tray **(9b)** and put it back in position. DESCAL IN TANK will appear on the display.
3. Remove the water reservoir **(17)** and put **Sprada Lime Scale Remover (Descaling tablets or the Lime'O powder)** in it with the corresponding quantity of water, up to the  $\frac{1}{2}$  liter mark (following the manufacturers instructions).

**Important:** Do not put lime scale remover into the ground coffee compartment **(20)**.

4. Put the reservoir back into the appliance. TURN VALVE will appear on the display.
5. Place a container of sufficient size (about ½ liter) under the nozzle **(12)**.
6. Turn the steam/hot water knob **(11)** to the right to open.
7. The machine automatically removes lime scale and the lime scale remover solution will intermittently flow out of the nozzle **(12)** (about 10 mins.).
8. When TURN VALVE appears on the display, you can turn the knob to the left **(11)**.
9. At this point the lime scale removal solution flows into the drip tray (about 15 mins.).
10. When the lime scale remover solution has flowed out of the outlet, EMPTY TRAYS appears on the display.
11. Remove the drip tray **(9b)** and the water reservoir **(17)** and empty them.
12. FILL WATER appears on the display.
13. Fill the reservoir **(17)** with cold water and put the reservoir and drip tray back in position. TURN VALVE will appear on the display.
14. Turn the steam/hot water knob **(11)** to the right to open.

15. The system is once again washed intermittently through the steam nozzle **(12)** (about 5 mins.).
16. When TURN VALVE appears, you can turn the knob **(11)** to the left.
17. The system is washed and water flows into the drip tray (about 5 mins.).
18. EMPTY TRAYS appears on the display when washing has been completed.
19. Empty the drip tray **(9b)** and reassemble it on the machine.
20. The system rapidly heats up to operating temperature. The service button **(7)** flashes and PLEASE RINSE appears on the display.
21. Press the service button **(7)** to wash the system out through the coffee dispensing nozzle **(8)**.
22. The machine is now ready for use.

#### **MANUAL LIME SCALE REMOVAL:**

1. Press the programming button **P**.
2. Press > until DESCAL. Appears on the display.
3. Press ok, MAN. DESCALING appears on the display.
4. Confirm by pressing **ok**, and EMPTY TRAYS will appear on the display.
5. Proceed as described beginning in point 2 of the "Lime scale removal program" section.

If you unintentionally start up the lime scale removal program, you can interrupt the procedure at the start of the cycle by pressing the On/Off button **(2)** for about 2 seconds.

### **5.3 GENERAL CLEANING**

Never submerge the appliance in water. Do not use abrasive cleaners.

- Clean the case inside and out using only a soft damp cloth.
- Empty the drip tray **(9b)** and the coffee grounds container **(9c)** only when instructed to do so, on the display. Clean with warm, soapy water occasionally.
- When cleaning the drip tray **(9b)**, always remember to clean the contacts **(9d)** on the back of the tray.
- Rinse out the water reservoir every day and fill it with fresh cold water.
- Clean the hot water and steam nozzle with a damp cloth after each use.

**FOR YOUR OWN SAFETY READ FOLLOWING INSTRUCTIONS CAREFULLY BEFORE ATTEMPTING TO CONNECT THIS UNIT TO THE MAINS.**

### **6. MAINS (AC) OPERATION**

This unit is designed to operate on 240V, 50 Hz current only. Connecting it to other power sources may damage the unit.

## 7. MESSAGES FROM THE SYSTEM

SYMBOL	MEANING	WHAT TO DO
FILL UP PIPE-SYS	The water conveyance system has not been filled.	Open hot water/steam knob <b>(11)</b> .
FILL WATER	Water reservoir <b>(17)</b> is empty Water reservoir <b>(17)</b> has been removed or is incorrectly installed.	Fill with cold water Install the water reservoir.
FILL BEANS	Out of coffee beans.	Fill the container <b>(18)</b> with coffee beans.

**Important:** The words FILL BEANS will remain on the display until you make coffee.

EMPTY TRAYS	The tray <b>(9b)</b> and/or coffee grounds container <b>(9c)</b> is full.	Empty the tray and/or container.
TRAYS MISSING	The tray <b>(9b)</b> and/or coffee grounds container <b>(9c)</b> is absent or has not been installed correctly. The contacts <b>(9d)</b> on the drip tray are dirty.	Insert the drip tray and coffee grounds container. Clean the contacts.
SYSTEM TOO HOT	Overheated system.	Cool down the system when producing hot water.
PLEASE CLEAN	The machine needs cleaning.	Run the cleaning program.
SYSTEM CALCIF.	There are lime scale deposits in the machine.	Run the lime scale removal program.
FILTER CHANGE	Filter has expired.	Replace filter.
CLOSE THE DOOR	The door of the boiler unit <b>(22)</b> is open.	Close door.

## 8. TROUBLESHOOTING

PROBLEM	MEANING	SOLUTION
The machine produces neither hot water nor steam	Nozzle <b>(12)</b> is blocked.	Clean nozzle thoroughly.
Insufficient froth	Unsuitable milk.	Use cold milk with 2% fat content.
The machine produces only a few drops of coffee	You are using too fine a grind. You are using coffee which is too finely ground.	Change the fineness of the ground. Use more coarsely ground coffee.
The coffee has no "crème"	The type of coffee you are using is not appropriate. The grind setting you are using is not appropriate for the type of coffee.	Change the type of coffee used. Adjust the grind.
The grinding motor is very noisy.	Foreign body such as a pebble is in the grinding motor.	Contact the service centre. You may continue to use the machine with pre-ground coffee.
The lime scale removal program does not work.	Filter programmed as "YES"	Program the filter to "NO"
ERROR 1	The illuminated ring on the "ON/OFF" button <b>(2)</b> is flashing. The appliance is too cold.	Let the machine warm up at room temperature for one or two hours.
ERROR 2	The illuminated ring on the "ON/OFF" button <b>(2)</b> is flashing. The appliance has not Heated to the operating temperature.	Let the machine warm up at room temperature for one or two hours.
ERROR 3	The illuminated ring on the "ON/OFF" button <b>(2)</b> is flashing. The boiler unit is obstructed or incorrectly installed.	Call our service centre.











*Sprada*   
THE FUTURE

AGENT STAMP



TEL: +27 21 712 4657    website: [www.sprada.ch](http://www.sprada.ch)